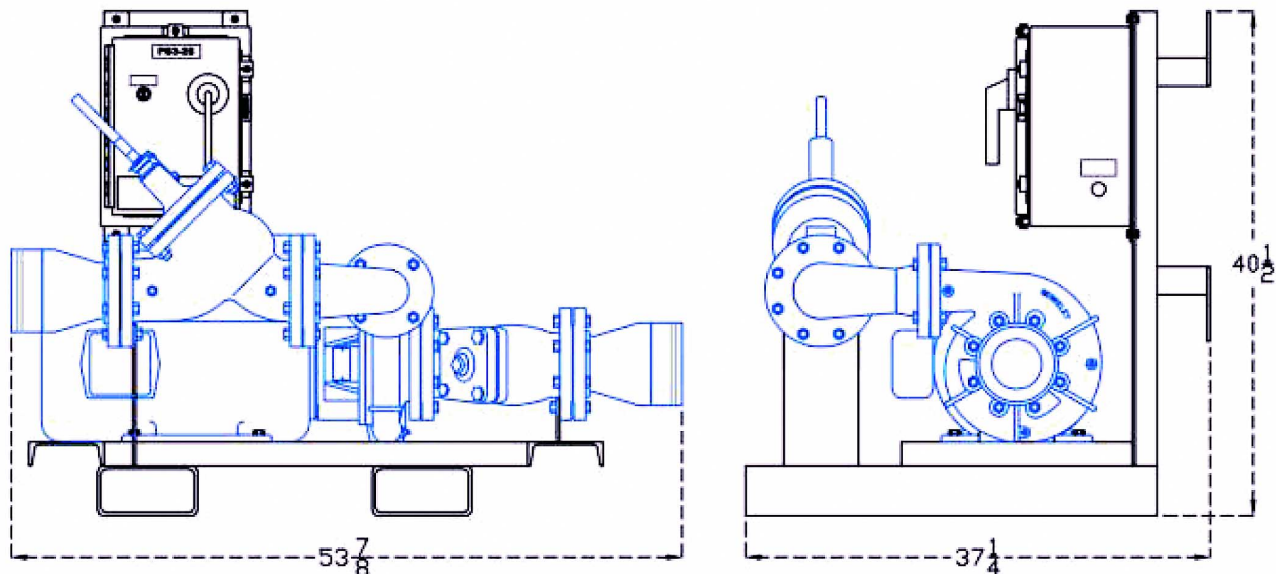


HEAVY DUTY PORTABLE PUMPING PACKAGE

CATERPILLAR®

MODEL PB3-25 Nominal 500 GPM



Approximate Shipping Weight (Steel Frame) - 856 LBS, (Aluminum Frame) - 714 LBS
Electrical Requirements - Full Load Amps 31.4, Service Factor Amps 36.1, 460/60/3

STANDARD FEATURES

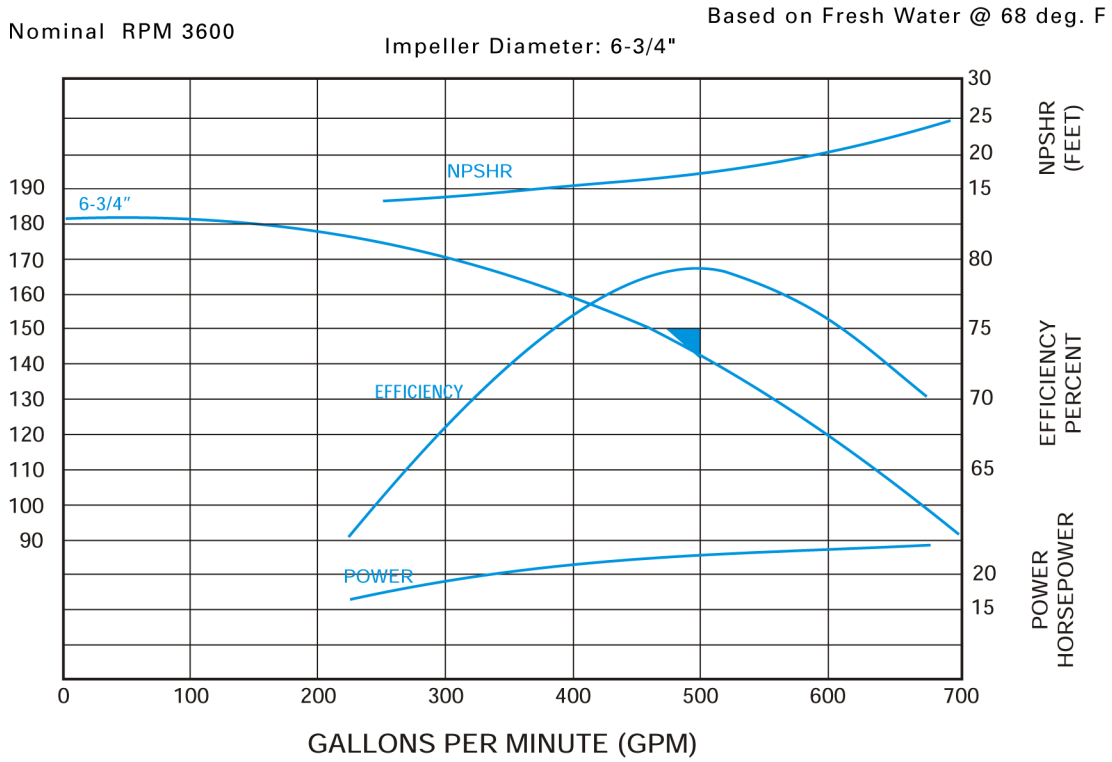
- Compact rugged steel or aluminum transport frame.
- Fork lift tubes
- Industrial grade pump suitable for commercial or industrial duty.
- Victaulic water connections, 6".
- Suction line strainer.
- Totally enclosed fan cooled motor.
- Power cable with pin/sleeve connector.
- NEMA 4 control center.
- Main power breaker with external handle.
- Motor starter with thermal overloads.
- Control transformer with circuit breakers.
- Hand-Off-Auto switch.
- Plug receptacle for remote Stop-Start.
- Triple duty valve.

WHERE THE WORLD TURNS FOR POWER

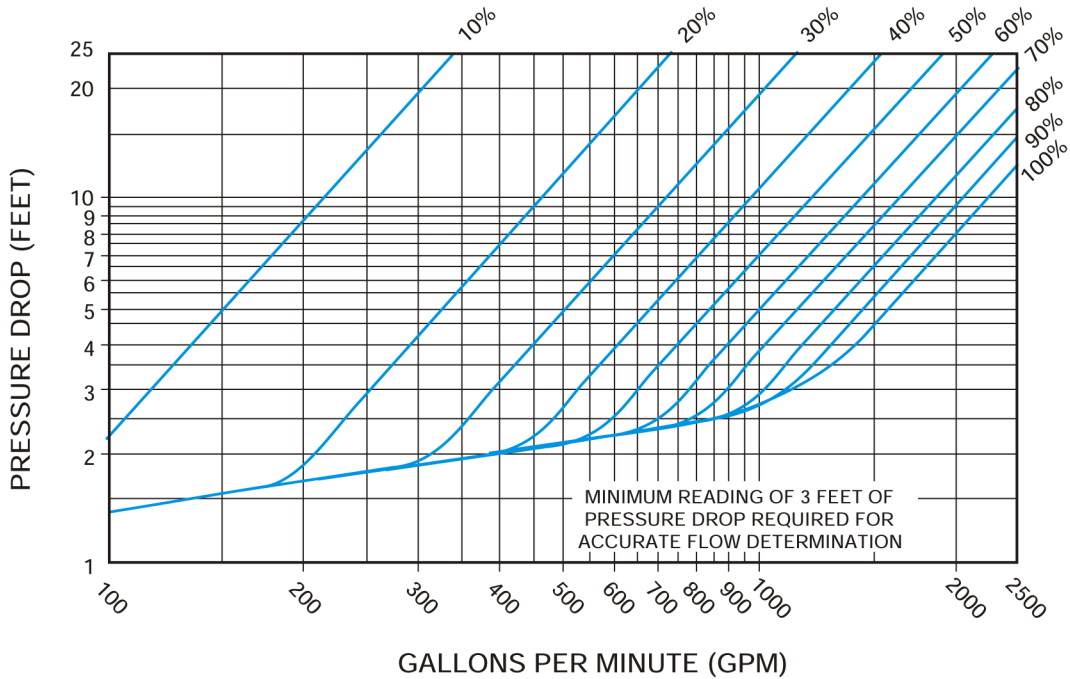
HEAVY DUTY PORTABLE PUMPING PACKAGE



PUMP CAPACITY



4" TRIPLE DUTY VALVE



www.CAT-ElectricPower.com
© 2003 Caterpillar
All rights reserved.
Printed in U.S.A.